

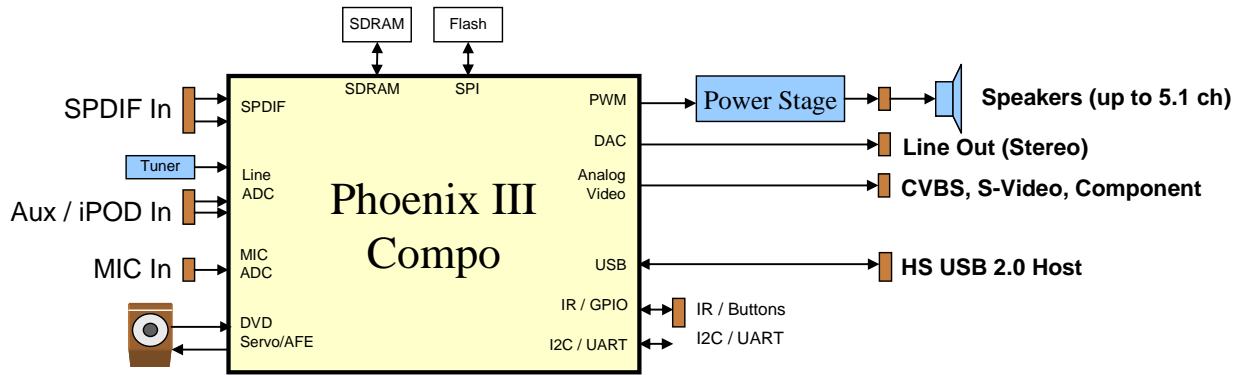


ESS Technology, Inc.

ES8396

Phoenix III Compo DVD/HTiB Processor Product Brief

OVERVIEW



The Phoenix III Compo is a DVD/HTiB processor targeted for non-HDMI DVD home-theater receivers, soundbars and mini-component systems applications.

The Phoenix III Compo enables the lowest system BOM cost by integrating all DVD and home theater audio processing functions in a 216-pin Low Profile Quad Flat Pack (LQFP) package.

KEY FEATURES

Feature	Benefit
Highest integration for non-HDMI DVD home theater receivers and soundbars	Lowest system BOM cost
Field proven DVD/HTiB Decoder Core <ul style="list-style-type: none"> • CD/VCD/DVD/DivX/MP3/WMA Decoder • 5th generation DVD/CD Servo/AFE • HS USB 2.0 Host Controller 	<ul style="list-style-type: none"> • Playback all popular A/V formats • Superior media compatibility & playability • Smooth media playback from thumb-drives
Video Out <ul style="list-style-type: none"> • Motion Adaptive Video Deinterlacer • Analog video out 	<ul style="list-style-type: none"> • Superior video quality • Compatible with analog TV
Audio Post-processing <ul style="list-style-type: none"> • Dedicated Audio DSP • Hardware Speaker Filters & Downmix 	<ul style="list-style-type: none"> • Customizable sound effects • Reduce CPU loading
Audio Out <ul style="list-style-type: none"> • 6ch PWM/DAC • 2ch DAC 	<ul style="list-style-type: none"> • Field proven, best-in-class Class D controller • Downmix Stereo output
Audio In <ul style="list-style-type: none"> • SPDIF receiver w/ 2-input MUX • Stereo ADC w/ 3-input MUX • MIC ADC with digital echo mixer 	<ul style="list-style-type: none"> • Eliminate external SPDIF receiver • Eliminate external audio ADC • Eliminate MIC ADC & Echo chip