



# SABRE9601K SABRE Headphone Driver Product Brief

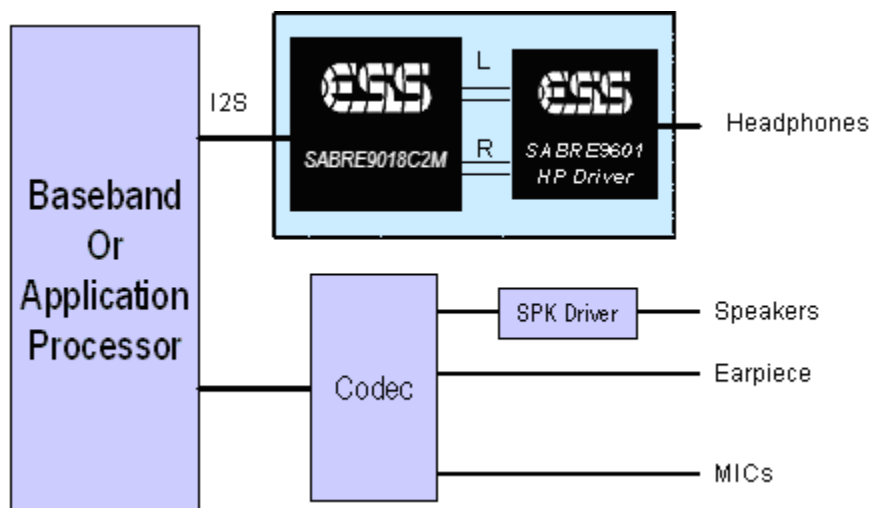
The **SABRE9601 Headphone Driver** is the industry's highest performance, standalone headphone driver targeted for audiophile-grade portable applications such as mobile phones, tablets and digital music players.

The **SABRE9601 Headphone Driver** delivers 122dB SNR and -117dB THD+N, a new benchmark in standalone headphone driver performance that will satisfy the most demanding audio enthusiasts.

The **SABRE9601 Headphone Driver** is available in a 20-pin, 3mm x 3mm QFN package.

Like ESS' high-quality SABRE<sup>32</sup> Reference DACs, the **SABRE9601 Headphone Driver** sets the standard for HD Audio performance with **SABRE SOUND™** for today's most demanding audio applications.

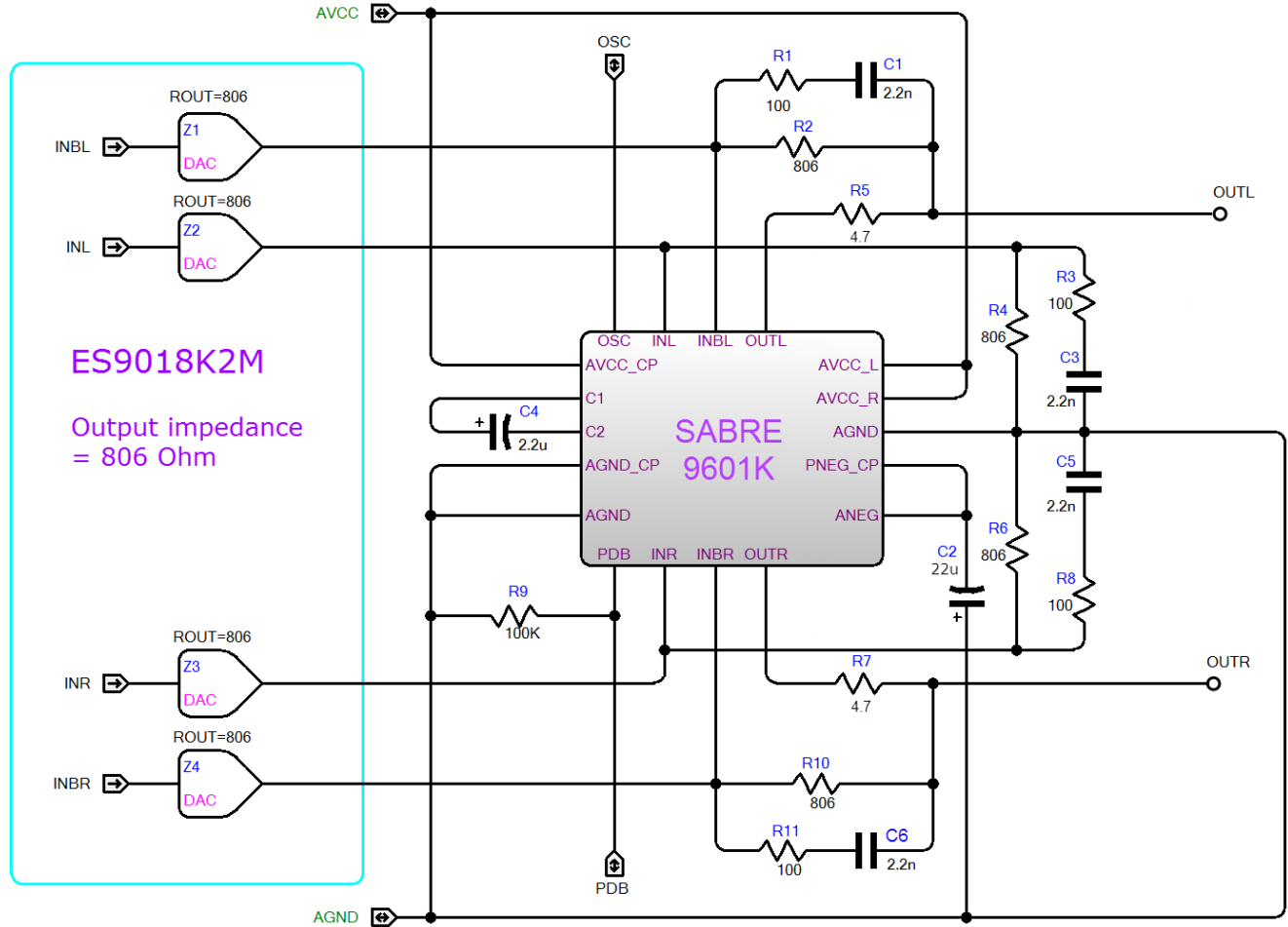
FEATURE	DESCRIPTION
Unmatched performance <ul style="list-style-type: none"> <li>+122dB SNR</li> <li>-117dB THD+N: 2Vrms @ 600Ω load</li> <li>-100dB THD+N: 30mW into 32Ω load</li> </ul>	<ul style="list-style-type: none"> <li>Industry's highest performance audio headphone or line-out driver for mobile applications</li> <li>Delivers SABRE SOUND™ all the way to headphones</li> </ul>
Ground reference output	<ul style="list-style-type: none"> <li>Eliminates large blocking capacitors</li> </ul>
Pop-noise suppression	<ul style="list-style-type: none"> <li>Powers up and down without any clicks or pops</li> </ul>
Charge pump for negative supply	<ul style="list-style-type: none"> <li>Single AVCC operation simplifies power supply</li> </ul>
20-QFN package, 3mm x 3mm	<ul style="list-style-type: none"> <li>Minimizes PCB footprint</li> </ul>
< 9mA / 5μA, quiescent / standby current	<ul style="list-style-type: none"> <li>Maximizes battery life</li> </ul>





# SABRE9601K Headphone Driver Product Brief

## APPLICATION DIAGRAM



No part of this publication may be reproduced, stored in a retrieval system, transmitted, or translated in any form or by any means, electronic, mechanical, manual, optical, or otherwise, without the prior written permission of ESS Technology, Inc. ESS Technology, Inc. makes no representations or warranties regarding the content of this document. All specifications are subject to change without prior notice. ESS Technology, Inc. assumes no responsibility for any errors contained herein. U.S. patents pending.