



SABRE9602Q SABRE Headphone Driver with Output Switch Product Brief

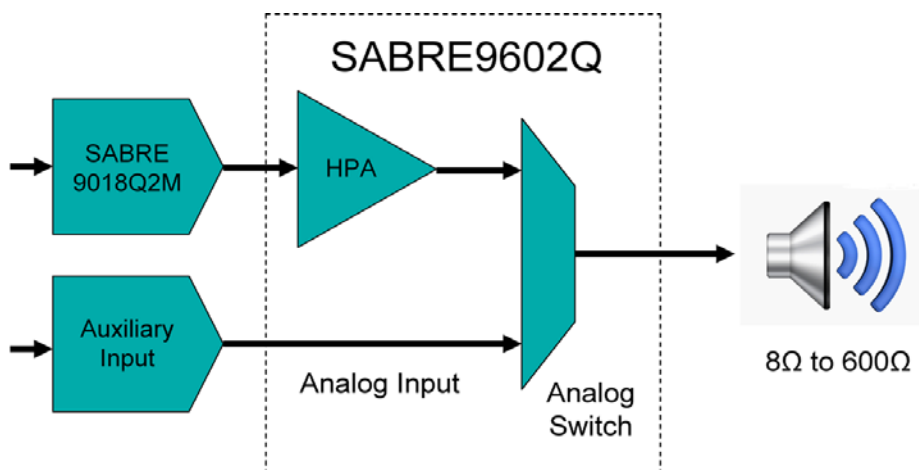
The **SABRE9602Q Headphone Driver and Output Switch** is the industry’s highest performance, standalone headphone driver targeted for audiophile-grade portable applications such as mobile phones, tablets and digital music players.

The **SABRE9602Q Headphone Driver and Switch** delivers 122dB SNR and –117dB THD+N, a new benchmark in standalone headphone driver performance that will satisfy the most demanding audio enthusiasts.

The **SABRE9602Q Headphone Driver and Switch** is available in a 40-pin, 5mm x 5mm QFN package.

Like ESS’ high-quality SABRE³² Reference DACs, the **SABRE9602Q Headphone Driver and Switch** sets the standard for HD Audio performance with **SABRE SOUND™** quality for today’s most demanding audio applications.

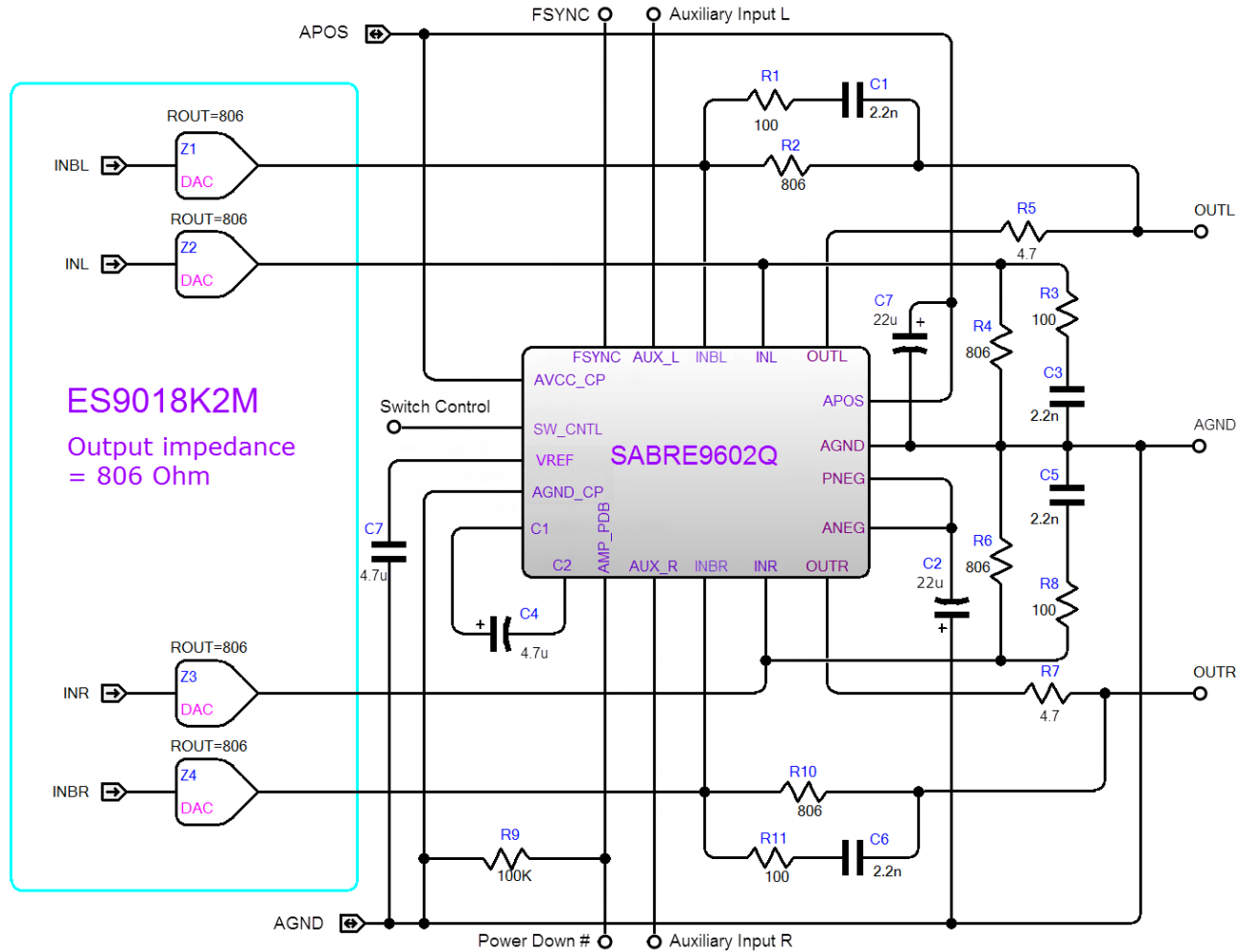
FEATURE	DESCRIPTION
Unmatched performance <ul style="list-style-type: none"> +122dB SNR –117dB THD+N: 2Vrms into 600Ω load –102dB THD+N: 49mW into 32Ω load 	<ul style="list-style-type: none"> Industry’s highest performance audio headphone or line-out driver for mobile applications Delivers SABRE SOUND™ quality all the way to the headphones
Ground reference output	<ul style="list-style-type: none"> Eliminates large blocking capacitors
Pop-noise suppression	<ul style="list-style-type: none"> Powers up and down without any clicks or pops
Charge pump for negative supply	<ul style="list-style-type: none"> Single AVCC operation simplifies power supply
40-QFN package, 5mm x 5mm	<ul style="list-style-type: none"> Minimizes PCB footprint
7mA / 300μA, quiescent / standby current	<ul style="list-style-type: none"> Maximizes battery life





SABRE9602Q Headphone Driver with Switch Product Brief

APPLICATION DIAGRAM



Simplified SABRE9602Q Application Circuit.

No part of this publication may be reproduced, stored in a retrieval system, transmitted, or translated in any form or by any means, electronic, mechanical, manual, optical, or otherwise, without the prior written permission of ESS Technology, Inc. ESS Technology, Inc. makes no representations or warranties regarding the content of this document. All specifications are subject to change without prior notice. ESS Technology, Inc. assumes no responsibility for any errors contained herein. U.S. patents pending.